

■ ADVANTAGE

- Unique all inclusive lamp, reflector and lens assembly.
- High impact resistant.
- Internal back-up battery provides 90 minutes operation during a power outage.
- Long-lasting, energy efficient Red or Green LED EXIT sign illumination.
- Mounting: top mounted or wall mounted
- 5 years warranty.
- Applications: exit, hallways, doorways, etc.



■ DETAILS

Features

- Injection-molded, engineering grade, 5VA flame retardant, high-impact, thermoplastic in white finish.
- High performance chrome-plated metallized reflector and plastic lens for optimal light distribution.
- Fully automatic solid-state, two rate charger initiates battery charging to recharge a discharged battery in 24 hours.
- Compact, low-profile design.

Installations

- Universal knockout pattern on back plate for wall.
- EZ-snap thermoplastic mounting canopy included- provides top mounted.

Certifications

- Comply with the requirements of the Standard(s) for Luminaires and are identified with the cETL Listed Mark.

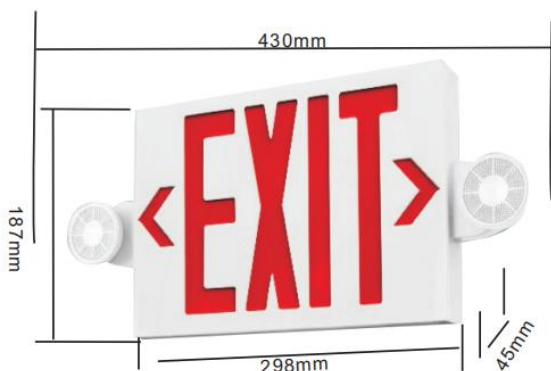
Accessories

- Screw and cap.
- Mounting fixing hardware
- Canopy

Warranty

- All products from DIMILIGHT are guaranteed with 5 years' warranty.
- See [Warranty policy from DIMILIGHT](#) for additional information.

■ DIMENSIONS



■ SPECIFICATION

	MODEL	WATT	INPUT VOLTAGE	EMERGENCY DURATION	CERTIFICATE
<input type="checkbox"/>	DM-EM119	5W	AC120V/277V	≥ 90 mins	cETLus

■ ACCESSORIES

Screw and Cap

Fixing Hardware

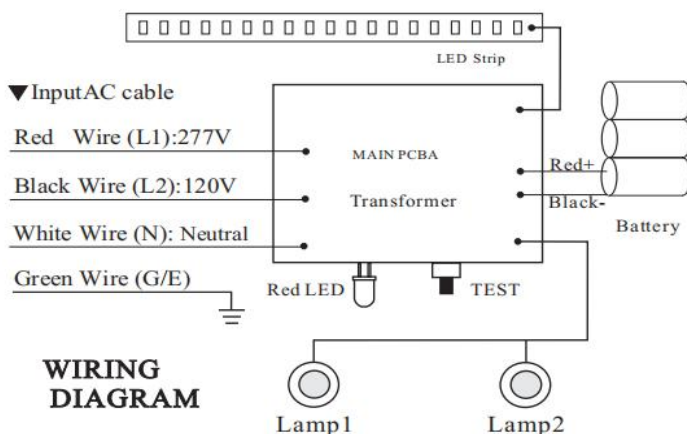
Canopy



■ PACKING INFO

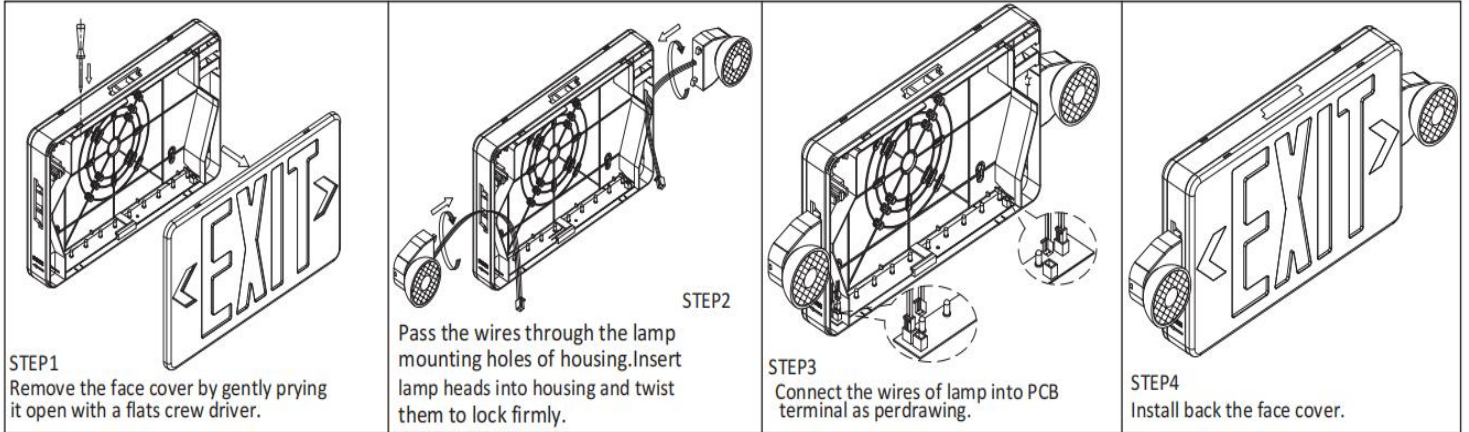
MODEL	14PCS/CARTON	420PCS/PALLET		CONTAINER		
	DIMENSION(INCH)	N.W(LBS)	G.W(LBS)	20'GP(PCS)	40'GP(PCS)	40HQ(PCS)
DM-EM119	17.72" x15.35" x15.57"	21.2	39.9	5000	8000	10000

■ WARNING

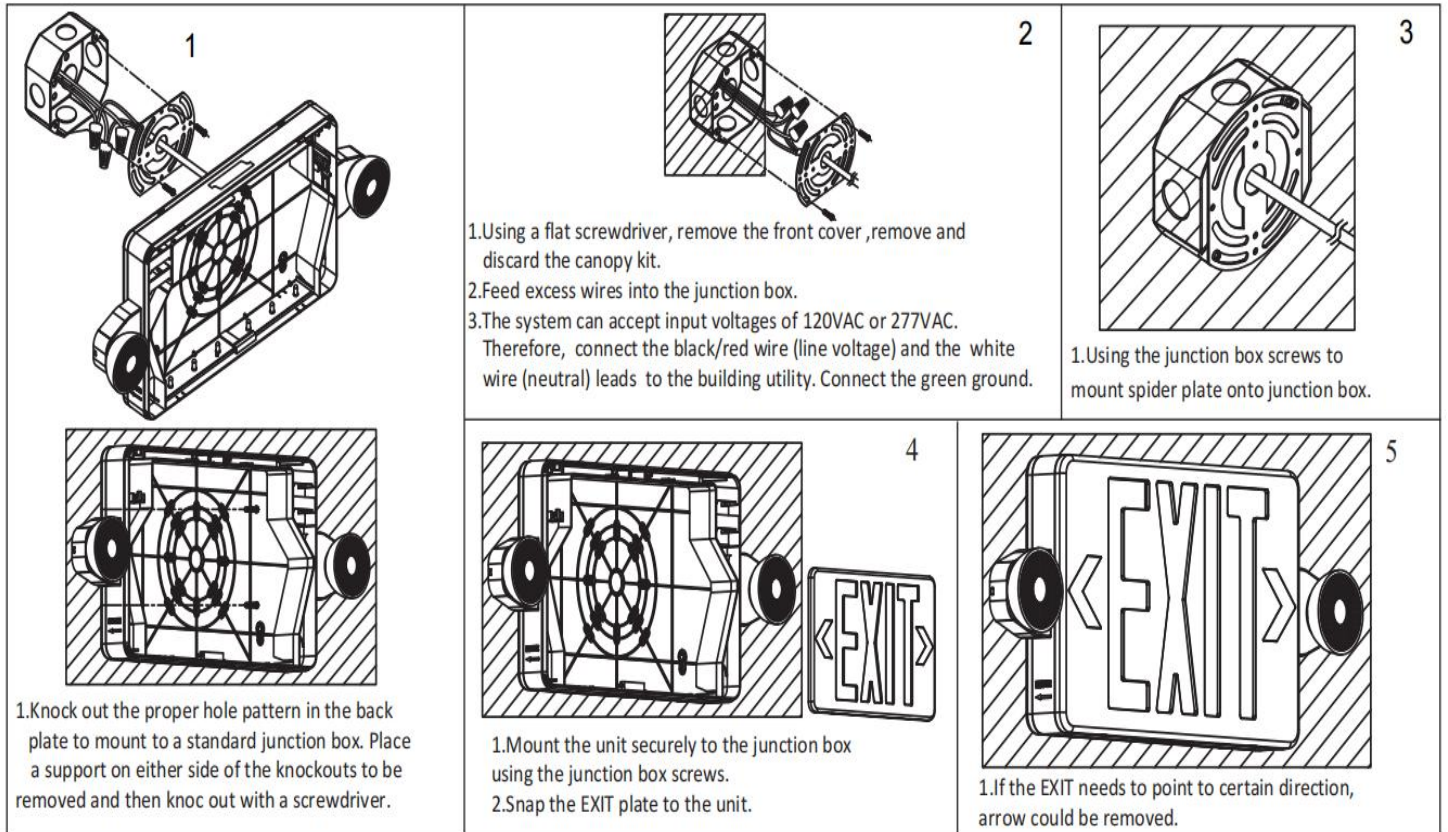


■ INSTALLATIONS

❖ Lamp heads

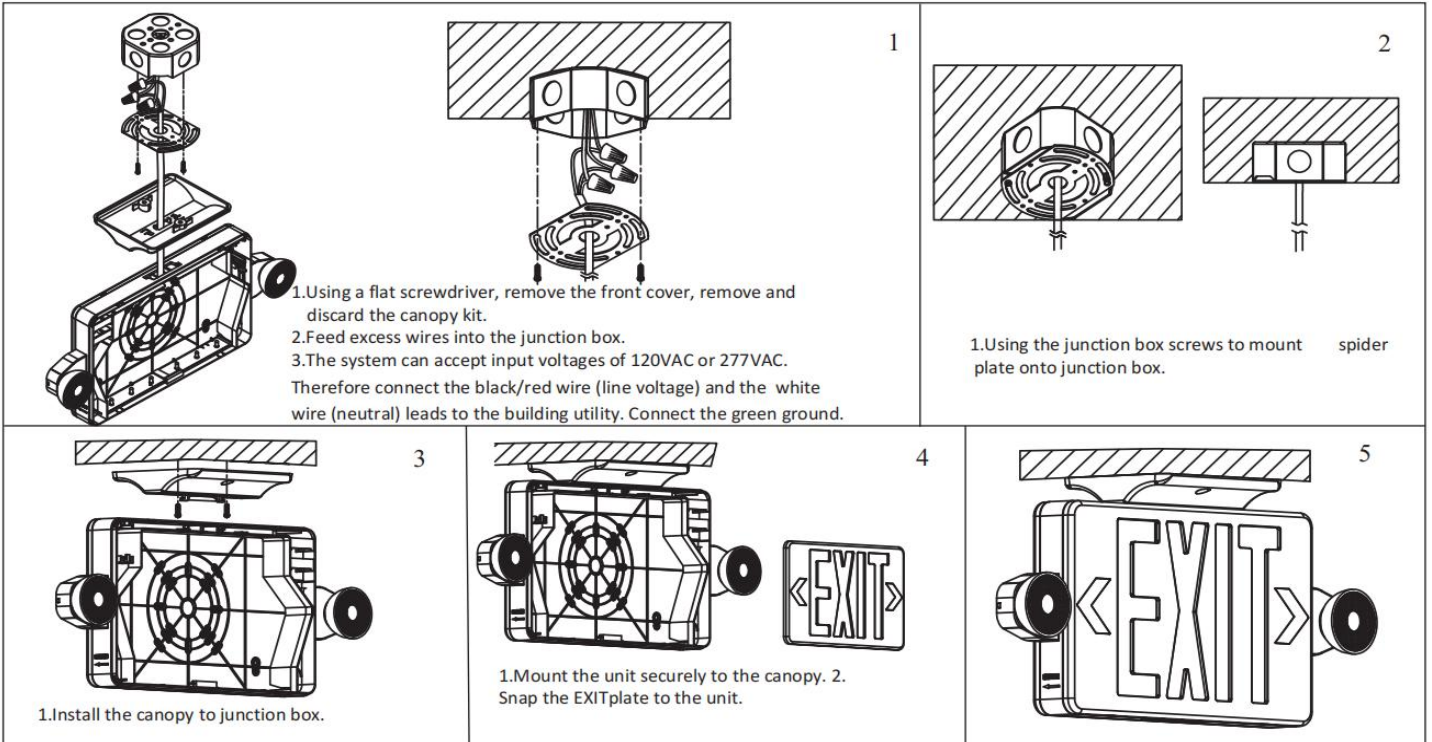


❖ Wall mount



■ INSTALLATIONS

❖ Top mount



■ APPLICATION

