

LED EMERGENCY LIGHT

DM-EM110

■ ADVANTAGE

- High impact resistant.
- Internal back-up battery provides 90 minutes operation during a power outage.
- Use long-lasting, efficient ultra bright white LEDs.
- Mounting: wall mounted.
- 5 years warranty.
- Applications: stairways, hallways, doorways, etc.



■ DETAILS

Features

- Injection-molded, 5VA flame-retardant and high impact thermoplastic housing, this led emergency lights have high-impact resistant.
- High performance chrome-plated metallized reflector and plastic lens for optimal light distribution.
- 360 degree rotation, the flexibility of the light direction allows you to point the lights at almost a 90 degree angle.

Installations

- Universal knockout pattern on back plate for wall mount.
- Suitable for wall or ceiling mount.

Certifications

- Comply with the requirements of the Standard(s) for Luminaires and are identified with the cETL Listed Mark.

Accessories

- Screw and cap.
- Mounting fixing hardware.

Warranty

- All products from DIMILIGHT are guaranteed with 5 years' warranty.
- See [Warranty policy from DIMILIGHT](#) for additional information.

■ DIMENSIONS

Product Dimension



Multi-angle Rotation



■ SPECIFICATION

	MODEL	WATT	INPUT VOLTAGE	EMERGENCY DURATION	CERTIFICATE
<input type="checkbox"/>	DM-EM110	4W	AC120V-277V	≥ 90 mins	cETLus

■ ACCESSORIES

Screw and Cap



Fixing Hardware



■ PACKING INFO

MODEL	14PCS/CARTON	672PCS/PALLET		CONTAINER		
	DIMENSION(INCH)	N.W(LBS)	G.W(LBS)	20'GP(PCS)	40'GP(PCS)	40HQ(PCS)
DM-EM110	23.6" x11.4" x10.2"	13.4	19.6	7000	12000	14000

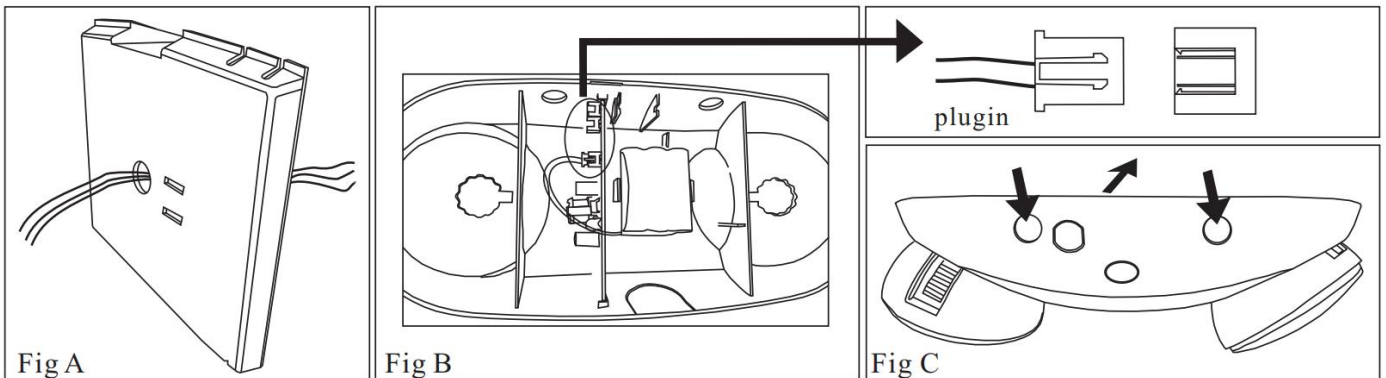
■ APPLICATION



■ INSTALLATIONS

❖ J-Box Mounting

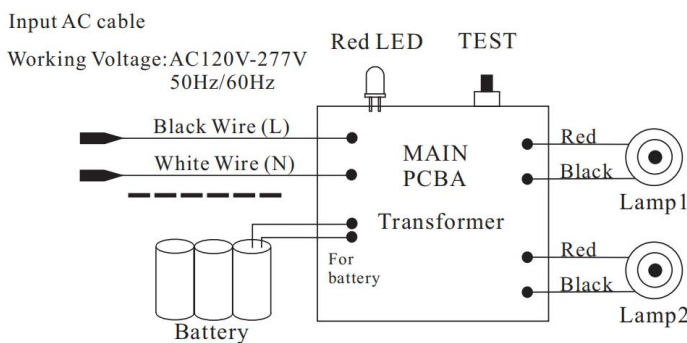
1. Feed fixture leads through main bottom case and connect AC power supply (Fig A).
2. Connect wires through J-Box .Place bottom case on J-Box and secure with screws.
3. Connect battery only when continuous AC power can be provided to the unit(Fig B) .
4. Align snaps and push housing directly onto main bottom case (Fig C) apply continuous AC power and press "TEST" button to check lamps.



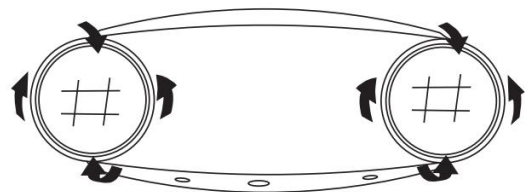
❖ Conduit

1. During an electrical power failure, the lamps will automatically come on for a minimum of 90 minutes.
2. To test ,press the “TEST” switch , the emergency lamps will illuminate. When the switch is released ,the lamp will go off.

❖ WIRING DIAGRAM



❖ ADJUST LAMP HEADS AND LENS



Only narrow lens has adjustable function.
Adjust lamp heads and lens direction according
your needs.