

MAGNETIC MINI STRIP LIGHT SERIES

■ ADVANTAGE

- cETLus, DLC 5.1 premium
- 5 years warranty
- 0-10v dimmable driver
- CCT : 3000K/4000K/5000K
- Input voltage: AC100-277V
- Lumen: 160Lm/W
- Reduces energy consumption up to 60%



■ DETAILS

Features

- Unique design and easy installation.
- Environmental protecting and linkable.
- Low voltage protection.
- Ultra bright led lamp

Installations

- Can be recessed into grid ceiling.

Certifications

- DLC 5.1 premium.
- Comply with the requirements of the Standard(s) for Luminaires and are identified with the cETL Listed Mark.

Accessories

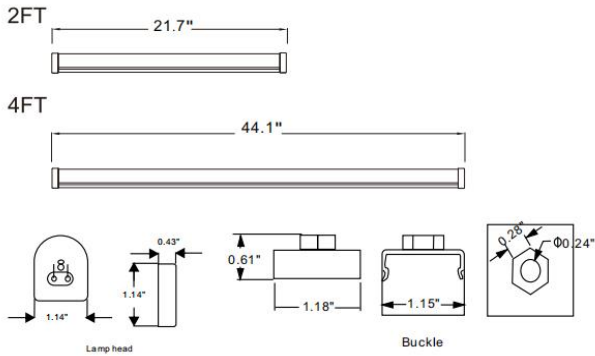
- Standard accessory, magnetic buckle, external driver, connect cable

Warranty

- All products from DIMI LIGHT are guaranteed with 5 years' warranty.
- See Warranty policy from Dimi light for additional information.

MAGNETIC MINI STRIP LIGHT SERIES

DIMENSIONS



SPECIFICATION

	MODEL	SIZE	WATT	CCT	LUMEN	EFFICACY
<input type="checkbox"/>	DM-STMN2FT7W-XXX-ZZ	2ft	7W	3000K-5000K	1120Lm	160Lm/W
<input type="checkbox"/>	DM-STMN4FT9W-XXX-ZZ	4ft	9W	3000K-5000K	1440Lm	160Lm/W
<input type="checkbox"/>	DM-STMN4FT12W-XXX-ZZ	4ft	12W	3000K-5000K	1920Lm	160Lm/W
<input type="checkbox"/>	DM-STMN2FT7W-1-7W-XXK	2ft	7W	3000K-5000K	1120Lm	160Lm/W
<input type="checkbox"/>	DM-STMN2FT7W-2-14W-XXK	2ft	14W	3000K-5000K	2240Lm	160Lm/W
<input type="checkbox"/>	DM-STMN2FT7W-3-21W-XXK	2ft	21W	3000K-5000K	3360Lm	160Lm/W
<input type="checkbox"/>	DM-STMN2FT7W-4-28W-XXK	2ft	28W	3000K-5000K	4480Lm	160Lm/W
<input type="checkbox"/>	DM-STMN4FT9W-1-9W-XXK	4ft	9W	3000K-5000K	1440Lm	160Lm/W
<input type="checkbox"/>	DM-STMN4FT9W-2-18W-XXK	4ft	18W	3000K-5000K	2880Lm	160Lm/W
<input type="checkbox"/>	DM-STMN4FT9W-3-27W-XXK	4ft	27W	3000K-5000K	4320Lm	160Lm/W
<input type="checkbox"/>	DM-STMN4FT9W-4-36W-XXK	4ft	36W	3000K-5000K	5760Lm	160Lm/W
<input type="checkbox"/>	DM-STMN4FT12W-1-12W-XXK	4ft	12W	3000K-5000K	1920Lm	160Lm/W
<input type="checkbox"/>	DM-STMN4FT12W-2-24W-XXK	4ft	24W	3000K-5000K	3840Lm	160Lm/W
<input type="checkbox"/>	DM-STMN4FT12W-3-36W-XXK	4ft	36W	3000K-5000K	5760Lm	160Lm/W
<input type="checkbox"/>	DM-STMN4FT12W-4-48W-XXK	4ft	48W	3000K-5000K	7680Lm	160Lm/W

MAGNETIC MINI STRIP LIGHT SERIES

■ ACCESSORIES

- magnetic mounting
- microwave sensor

- connect cable
- EM battery

Magnetic Mounting



Connect Cable



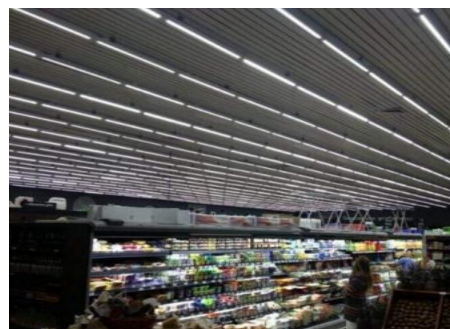
Microwave Sensor



■ PACKING INFO





SIZE	4PCS/CARTON			CONTAINER		
	DIMENSION(INCH)	N.W(LBS)	G.W(LBS)	20'GP(PCS)	40'GP(PCS)	40HQ(PCS)
2ft	26.8"x8.3"x7.9"	7.94	12.39	25920	58320	58320
4ft	49"x8.3"x7.9"	16.53	21.12	12960	29160	29160

■ APPLICATIONS



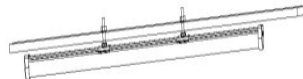
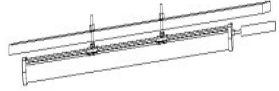


■ INSTALLATIONS



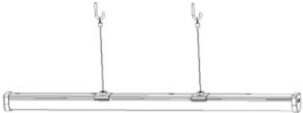

★ Surface Mounting

 <p>Step1:Drill holes where you want to fix the strip fixture and driver .</p>	 <p>Step2:Fix the buckles properly by screws.</p>	 <p>Step3:Put both the strip fixture and driver into the grille box.</p>	 <p>Step4:Wire them properly.</p>
--	---	---	---

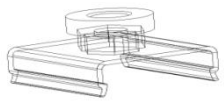
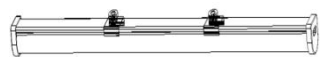


★ Nut fixed

 <p>Step1:Drill 2 hole in $\Phi 7\text{mm}$ at fixed plate.</p>	 <p>Step2:Fix the buckle to the plate by nut .</p>	 <p>Step3:Put the mini Strip fixture to the buckle .</p>	 <p>Step4:Connect the AC wire by connector.</p>
---	--	---	---

★ Wire installation

 <p>Step1:Connect the 2pcs and magnet 2pcs buckle by nuts.</p>	 <p>Step2:Fix the buckle with mini strip fixture .</p>	 <p>Step3:Put the mini strip fixture into steel product.</p>	 <p>Step4:Connect AC wire by connector.</p>
--	--	---	---

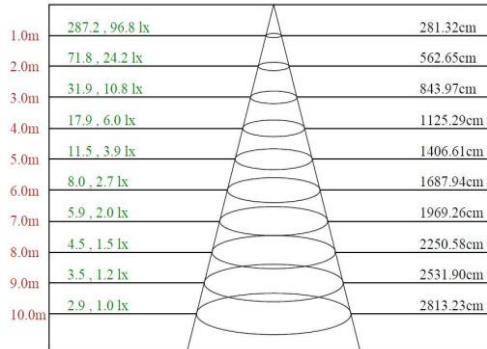
★ Magnetic installation

 <p>Step1:Connect the 2pcs magnet and 2pcs buckle by nuts.</p>	 <p>Step2:Fix the buckle with mini strip fixture .</p>	 <p>Step3:Put the mini strip fixture into steel product.</p>	 <p>Step4:Connect AC wire by connector .</p>
--	--	---	--

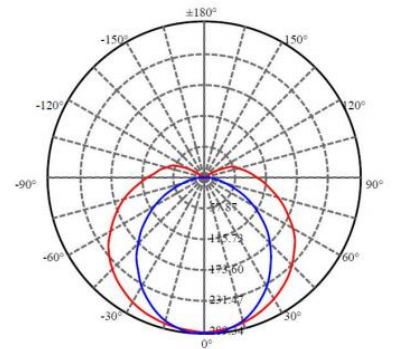
■ PHOTOMETRIC DATA

DM-STMN2FT7W-1-7W-XXK

Watt	7W
PF	0.971
CRI	86
THD	14.1%
Lumen	1163.47Lm
Efficacy (AC)	165.5Lm/W
Minimum CCT	3000K
Maximum CCT	5000K
Voltage Range	100-277V

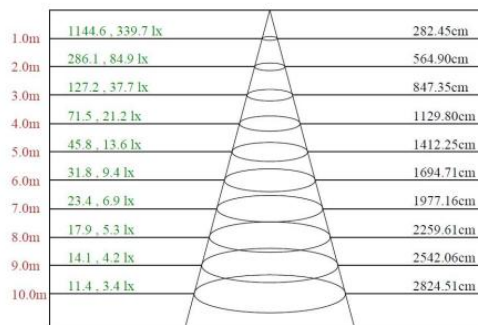


Max , Ave Beam angle of C112.5 plane 109.18

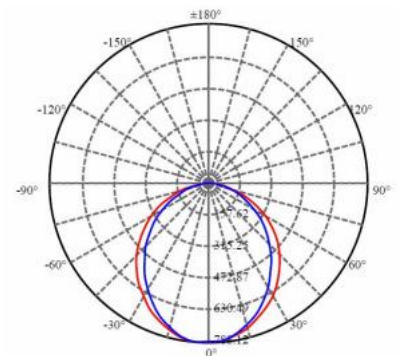


DM-STMN2FT7W-2-14W-XXK

Minimum Watt	7W
Maximum Watt	14W
PF	0.977
CRI	86
THD	11.7%
Lumen	2084.24Lm
Efficacy (AC)	141.4Lm/W
Minimum CCT	3000K
Maximum CCT	5000K
Voltage Range	100-277V

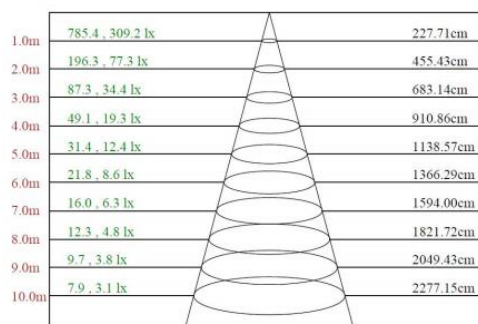


Max , Ave Beam angle of C0 plane 109.40

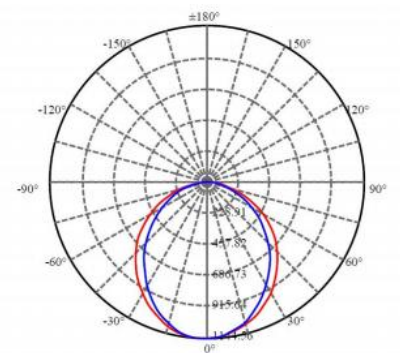


DM-STMN2FT7W-3-21W-XXK

Minimum Watt	7W
Maximum Watt	21W
PF	0.983
CRI	86
THD	15.3%
Lumen	3031.5Lm
Efficacy (AC)	141Lm/W
Minimum CCT	3000K
Maximum CCT	5000K
Voltage Range	100-277V



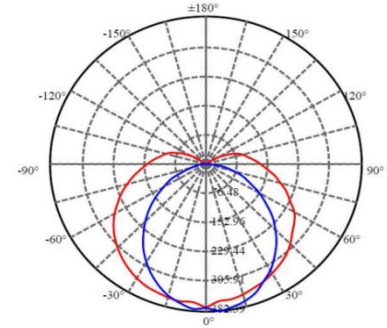
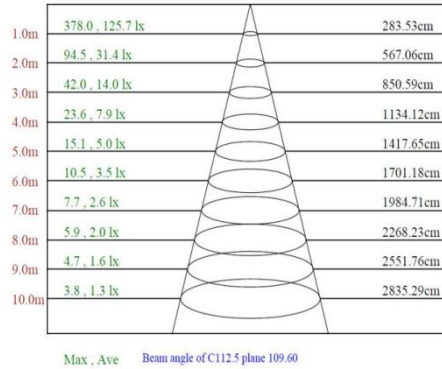
Max , Ave Beam angle of C270 plane 97.41



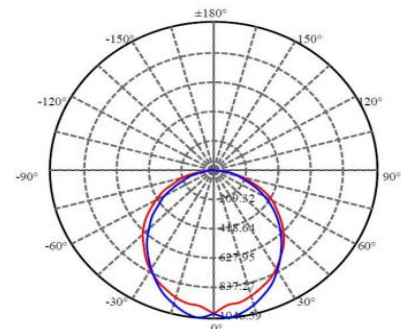
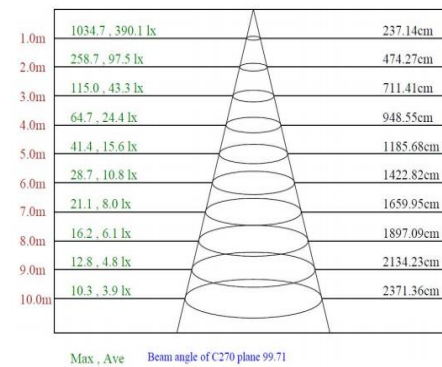
MAGNETIC MINI STRIP LIGHT SERIES

PHOTOMETRIC DATA

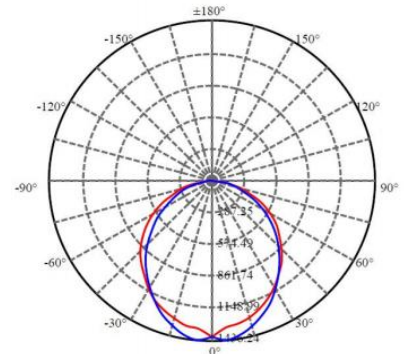
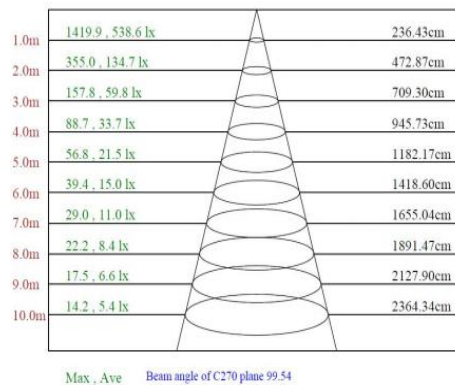
DM-STMN4FT9W-1-9W-XXK	
Watt	9W
PF	0.983
CRI	85.9
THD	10.3%
Lumen	1525.89 Lm
Efficacy (AC)	166.4 Lm/W
Minimum CCT	3000K
Maximum CCT	5000K
Voltage Range	100-277V



DM-STMN4FT9W-2-2-18W-XXK	
Minimum Watt	2W
Maximum Watt	18W
PF	0.986
CRI	87.3
THD	10.8%
Lumen	2793.1Lm
Efficacy (AC)	143.9Lm/W
Minimum CCT	3000K
Maximum CCT	5000K
Voltage Range	100-277V



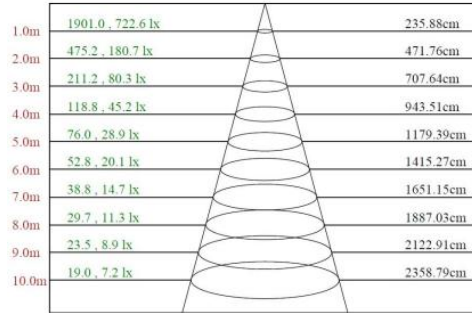
DM-STMN4FT9W-3-27W-XXK	
Minimum Watt	3W
Maximum Watt	27W
PF	0.991
CRI	84.8
THD	18%
Lumen	3897.26Lm
Efficacy (AC)	142.6Lm/W
Minimum CCT	3000K
Maximum CCT	5000K
Voltage Range	100-277V



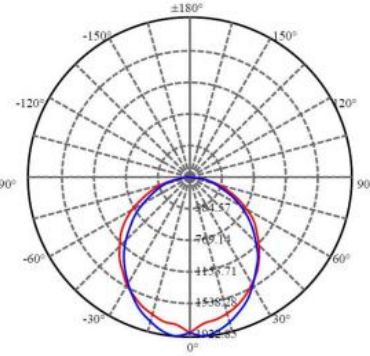
■ PHOTOMETRIC DATA

DM-STMN4FT9W-4-36W-XXK

Minimum Watt	9W
Maximum Watt	36W
PF	0.9920
CRI	86.6
THD	15.55
Lumen	5132.52 Lm
Efficacy (AC)	141.9 Lm/W
Minimum CCT	3000K
Maximum CCT	5000K
Voltage Range	100-277V

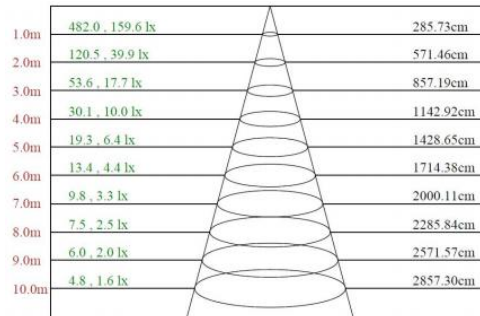


Max , Ave Beam angle of C270 plane 99.41

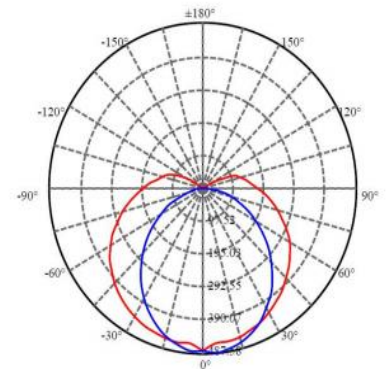


DM-STMN4FT12W-1-12W-XXK

Watt	12W
PF	0.988
CRI	87.2
THD	13.3%
Lumen	1993.66 Lm
Efficacy (AC)	166 Lm/W
Minimum CCT	3000K
Maximum CCT	5000K
Voltage Range	100-277V

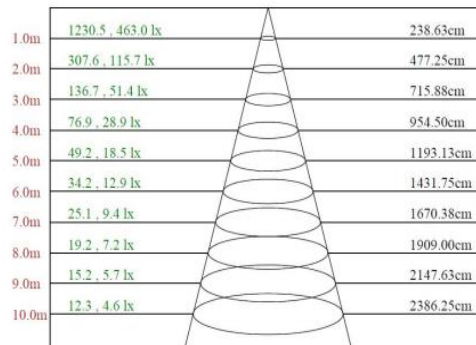


Max , Ave Beam angle of C112.5 plane 110.02

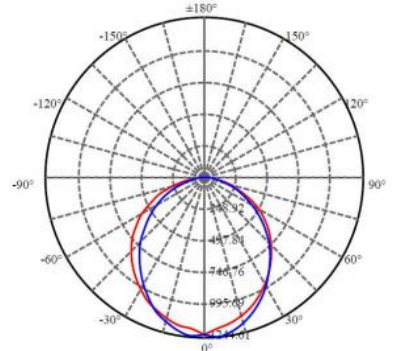


DM-STMN4FT12W-2-24W-XXK

Minimum Watt	12W
Maximum Watt	24W
PF	0.986
CRI	85.8
THD	7.8%
Lumen	3380.61Lm
Efficacy (AC)	140.8Lm/W
Minimum CCT	3000K
Maximum CCT	5000K
Voltage Range	100-277V



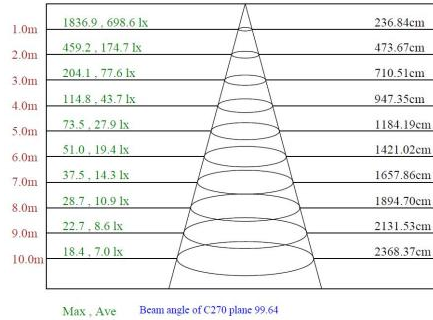
Max , Ave Beam angle of C90 plane 100.06



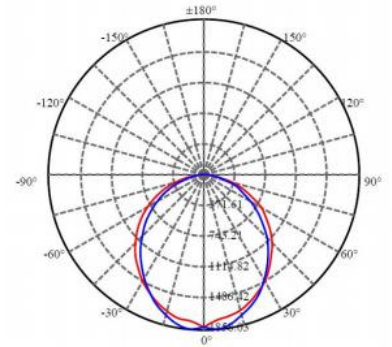
■ PHOTOMETRIC DATA

DM-STMN4FT12W-3-36W-XXK

Minimum Watt	12W
Maximum Watt	36W
PF	0.990
CRI	86.4
THD	15.1%
Lumen	5004.84Lm
Efficacy (AC)	139.8Lm/W
Minimum CCT	3000K
Maximum CCT	5000K
Voltage Range	100-277V

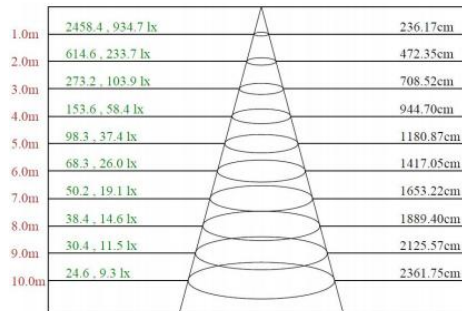


Max , Ave Beam angle of C270 plane 99.64



DM-STMN4FT12W-4-48W-XXK

Minimum Watt	12W
Maximum Watt	48W
PF	0.988
CRI	86.6
THD	10.4%
Lumen	6699.33Lm
Efficacy (AC)	140.3Lm/W
Minimum CCT	3000K
Maximum CCT	5000K
Voltage Range	100-277V



Max , Ave Beam angle of C270 plane 99.48

