

# LED TROFFER RETROFIT KIT

## Wattage & CCT Adjustable

### ■ ADVANTAGE

- Wattage switchable :  
20W/25W/30W/35W/40W ( 1x4ft, 2x2ft )  
25W/30W/35W/40W/50W ( 2x4ft )
- CCT switchable: 3000K/3500K/4000K/5000K
- 0-10v dimmable
- PF>0.90 , CRI>80 , THD<20%
- Input voltage: AC120-277V 50/60Hz
- Lumen : 130 Lm/W
- Application: office,schools,hospital,library etc



### ■ DETAILS

#### Features

- Solid structure, frame in ultra-lightweight aluminum.
- Non-yellowing lens.
- Wattage and CCT switchable through dip-switches.
- High-quality LEDs, provide bright and uniform lighting.
- Compatible with standard 0-10V dimmer.

#### Applications

- Schools and universities
- Offices and municipal buildings
- Healthcare facilities and hospitals

#### Certifications

- DLC 5.1 premium.
- Comply with the requirements of the Standard(s) for luminaires (CAN/CSA-C22.2 No. 250.0) and are identified with the cETL Listed Mark.

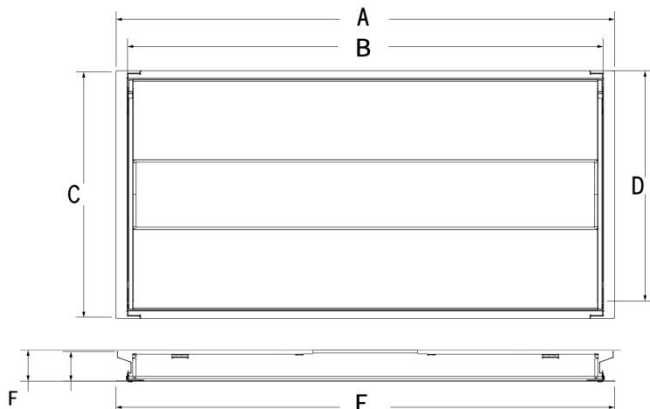
#### Accessories

- Emergency battery , motion sensor, for option.

#### Warranty

- All products from DIMI LIGHT are guaranteed with 5 years' warranty.
- See [Warranty policy from DIMI LIGHT](#) for additional information.

### ■ DIMENSIONS



SIZE	A	B	C	D	E	F
1x4ft	45.67"	44.09"	10.31"	9.53"	10.31"	1.89"
2x2ft	21.69"	20.12"	22.13"	21.34"	22.13"	1.89"
2x4ft	45.67"	44.09"	22.13"	21.34"	22.13"	1.89"

## ■ SPECIFICATION

	MODEL	SIZE	WATT	CCT	LUMEN	EFFICACY
<input type="checkbox"/>	DM-TRK14W5-S4	1x4ft	20/25/30/35/40W switchable	3000K/3500K/4000K/5000K switchable	2600Lm-5200Lm	130Lm/W
<input type="checkbox"/>	DM-TRK22W5-S4	2x2ft	20/25/30/35/40W switchable	3000K/3500K/4000K/5000K switchable	2600Lm-5200Lm	130Lm/W
<input type="checkbox"/>	DM-TRK24W5-S4	2x4ft	25/30/35/40/50W switchable	3000K/3500K/4000K/5000K switchable	3250Lm-6500Lm	130Lm/W

## ■ ACCESSORIES

Emergency Battery

Motion Sensor



### Emergency battery

- UL listed approved.
- Charging time: 24 hours.
- Selectable emergency power: 8W.
- Illumination time: 90 minutes.
- Split design, more flexible for installation.



### Retrofit installation kits (standard accessories)

- For installation of lamp only.
- High quality solid material.

## ■ PACKING INFO

SIZE	2PCS/CARTON			CONTAINER		
	DIMENSION(INCH)	N.W(LBS)	G.W(LBS)	20'GP(PCS)	40'GP(PCS)	40HQ(PCS)
1x4ft	13.40"x53.60"x7.00"	14.33	16.09	1716	3558	4170
2x2ft	26.80"x26.80"x7.00"	14.33	16.09	1736	3596	4216
2x4ft	26.80"x53.60"x7.00"	26.46	18.00	898	1862	2184

## ■ INSTALLATIONS

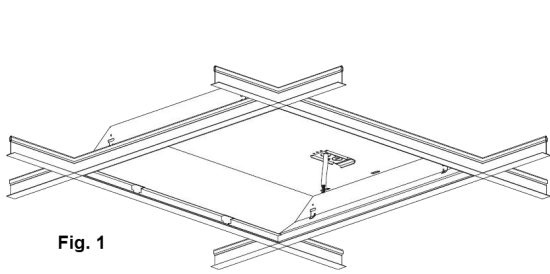


Fig. 1

**Step 1:** Remove the existing fixture frame, clear out inside of existing housing. May need to remove ballast.(Fig.1)

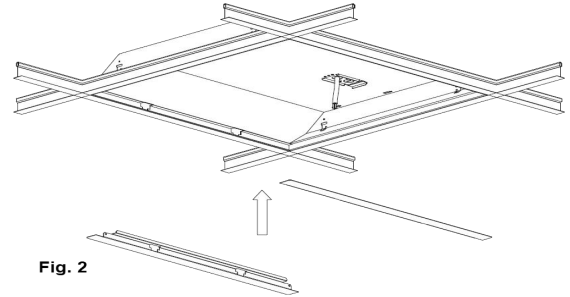


Fig. 2

**Step 2:** Install the bracket in the existing housing between the housing and T-grid bar.(Fig.2)

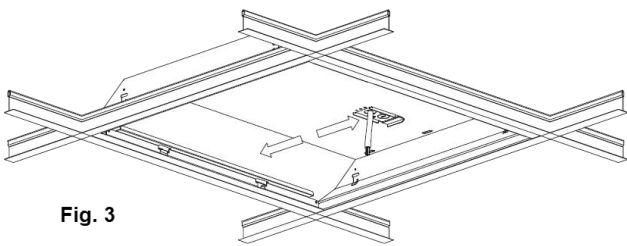


Fig. 3

**Step 3:** Slide the bracket to both sides and make it fixed.(Fig.3)

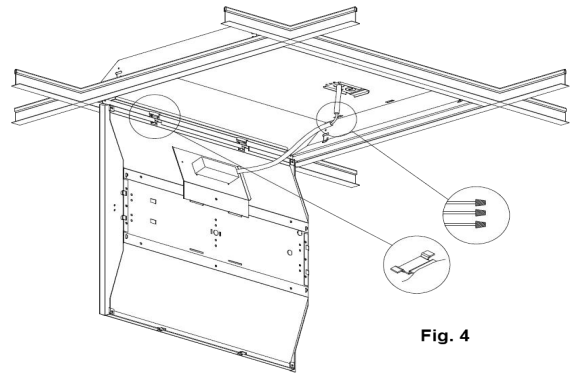


Fig. 4

**Step 4:** Install the flat bottom side to one of the brackets. Fix the safety rope and connect the circuit. (Fig.4)

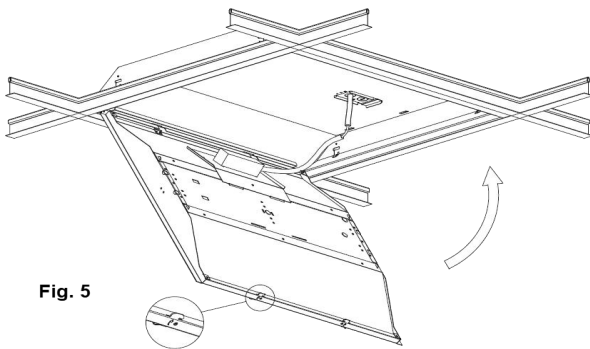


Fig. 5

**Step 5:** Close the retrofit fixture and secure the latch. Notice the fixture should be completely secure.(Fig.5)

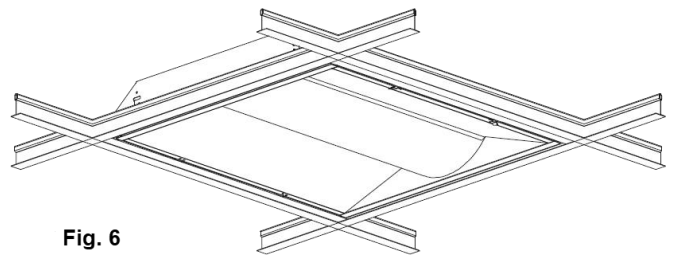


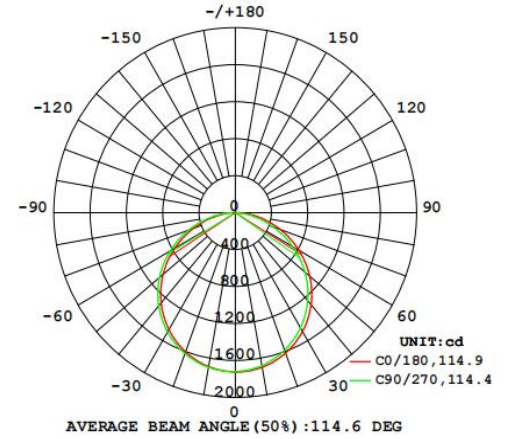
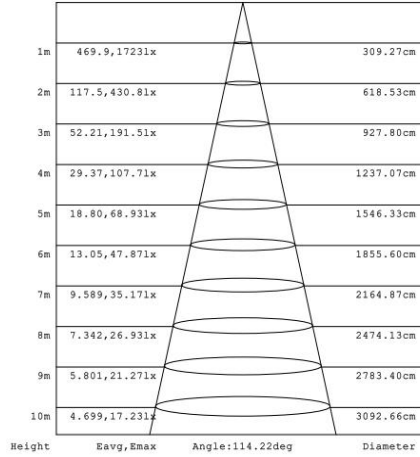
Fig. 6

**Step 6:** Close the retrofit fixture and secure the latch. Notice the fixture should be completely secure.(Fig.5)

## PHOTOMETRIC DATA

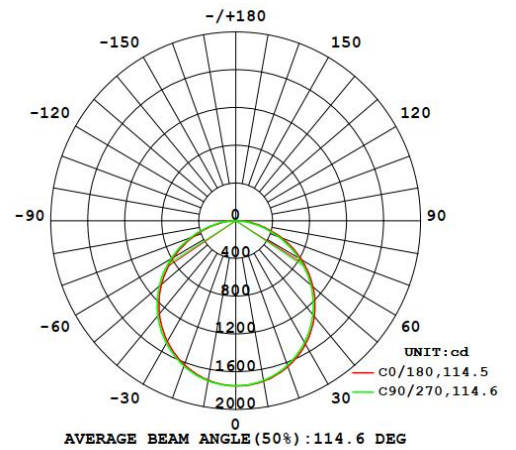
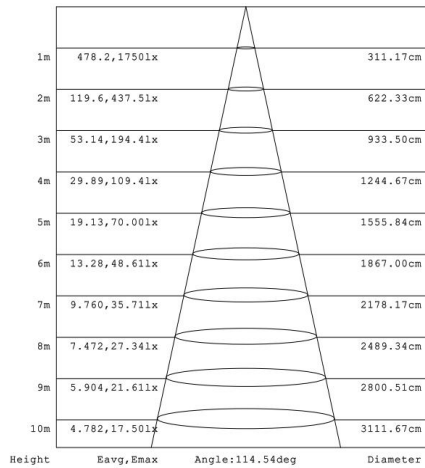
### DM-TRK14W5-S4

Watt	39.4 W
PF	0.946
CRI	84
R9	11
Flux	5652 Lm
Efficacy (AC)	143.4 Lm/W
Minimum CCT	3000K
Maximum CCT	5000K
Voltage Range	120-277 V
Operating Temperature	30°C to 130°C



### DM-TRK22W5-S4

Watt	39.7 W
PF	0.91
CRI	84
R9	11
Flux	5704 Lm
Efficacy (AC)	143.6 Lm/W
Minimum CCT	3000K
Maximum CCT	5000K
Voltage Range	120-277 V
Operating Temperature	30°C to 130°C



### DM-TRK24W5-S4

Watt	49.4 W
PF	0.944
CRI	84
R9	11
Flux	7132 Lm
Efficacy (AC)	144.3 Lm/W
Minimum CCT	3000K
Maximum CCT	5000K
Voltage Range	120-277 V
Operating Temperature	30°C to 130°C

