

### ■ ADVANTAGE

- Watt switchable:  
80W/100W/150W ,150W/200W/240W
- CCT switchable: 3000K/4000K/5000k
- Long lifespan with L70 > 100,000 hrs @ Ta=25°C
- Cost effective design makes it more competitive
- Patent design—All the LEDs are light up even when it is in CCT mode, provide even light
- Ambient working temperature: -40°C/-40°F to 50°C/122°F
- Applications: factory, workshop, warehouse, etc



### ■ DETAILS

#### Features

- Solid structure, Die-casting aluminum housing ensures excellent heat dissipation.
- Wattage and CCT switchable through dip-switches.
- High-quality LEDs, provide bright and uniform lighting.
- Housing color options: black, white.

#### Installations

- Durable round hanging ring, can be hung anywhere.
- Suspend the UFO High Bay by using US hook or U Bracket.
- The fixture comes with a safety rope added an additional protection for the installation.

#### Certifications

- DLC premium.
- Comply with the requirements of the Standard(s) for Luminaires and are identified with the cETL Listed Mark.

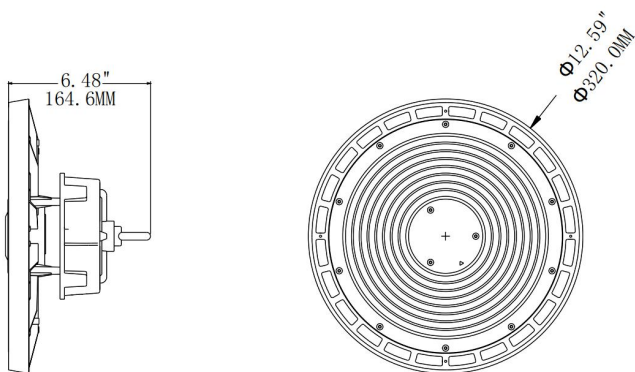
#### Accessories

- Emergency battery , motion sensor etc available.

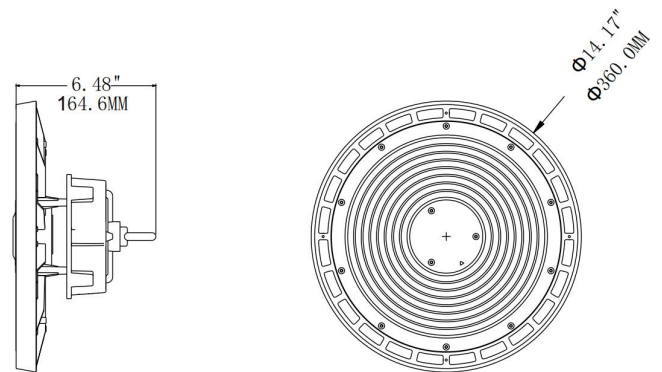
#### Warranty

- All products from DIMILIGHT are guaranteed with 5 years' warranty.
- See [Warranty policy from DIMILIGHT](#) for additional information.

### ■ DIMENSIONS



Small size



Large size

## ■ SPECIFICATION

	MODEL	SIZE	WATT	CCT	INPUT	EFFICACY
<input type="checkbox"/>	DM-UF80/100/150W -BNN45	S	80W/100W/150W switchable	4000K/5000K switchable	12800Lm-24000Lm	160Lm/W
<input type="checkbox"/>	DM-UF150/200/240 W-BNN45	L	150W/200W/240W switchable	4000K/5000K switchable	24000Lm-38400Lm	160Lm/W
<input type="checkbox"/>	DM-UF80/100/150W -BNN345	S	80W/100W/150W switchable	3000K/4000K/5000K switchable	12800Lm-24000Lm	160Lm/W
<input type="checkbox"/>	DM-UF180/200/240 W-BNN345	L	180W/200W/240W switchable	3000K/4000K/5000K switchable	28800Lm-38400Lm	160Lm/W
<input type="checkbox"/>	DM-UF80/100/150W -WNN345	S	80W/100W/150W switchable	3000K/4000K/5000K switchable	12800Lm-24000Lm	160Lm/W
<input type="checkbox"/>	DM-UF180/200/240 W-WNN345	L	180W/200W/240W switchable	3000K/4000K/5000K switchable	28800Lm-38400Lm	160Lm/W

## ■ ACCESSORIES (order separately)

- Motion Sensor  
 Remote Controller

- Emergency Battery  
 PC Reflector

- U Bracket  
 US Hook



### Emergency Battery

- UL listed approved
- AC solution EM for 9-350W LED luminaire
- Selectable emergency power: 30W, 40W
- Illumination time: 90 minutes



### Microwave Sensor

- Input Voltage: 12VDC
- Output Dimming: 0-10V
- Detection Distance: 10ft
- IP Rate: IP65



### 60° Anti-Glare PC Reflector

- Make the light more concentrated
- This reflector can effectively reduce glare, making your lights look softer and more comfortable



### U Bracket

- Adjust the angle of the lamp according to your needs
- Easy installation, illuminate every place



### US hook

- Durable standard US hook
- Hang the light fixture to anywhere you want

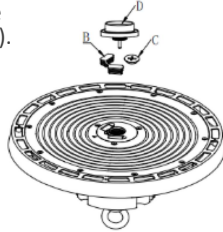
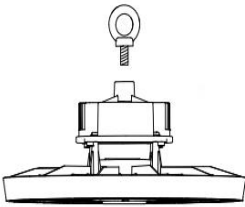
## PACKING INFO

SIZE	1PCS/CARTON			CONTAINER		
	DIMENSION(INCH)	N.W(LBS)	G.W(LBS)	20'GP(PCS)	40'GP(PCS)	40HQ(PCS)
S	12.80" x12.80" x5.12"	5.29	5.73	2410	4992	5853
L	14.37" x14.37" x5.12"	6.5	6.94	1616	3349	3926

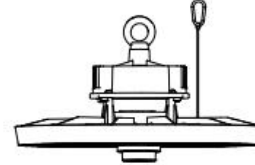
## INSTALLATIONS

### ❖ Rings mounted

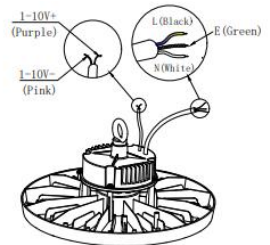
1. Attach the lifting ring to the fixture and fasten it with screws.
2. Loosen the rubber plug (B), adjust the corresponding power and color temperature, install the rubber plug (B), loosen the cross nut (C) as required, and then install the sensor (D).



3. Fix the lamps and safety buckles on the hooks respectively.

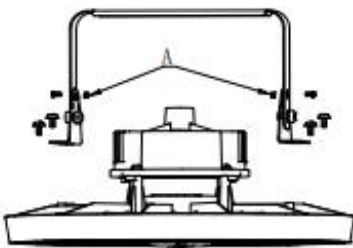


4. Electric and power input line connection (Black wire- L, White wire - N, Green wire - E, Purple-1-10V+, Pink-1-10V-).

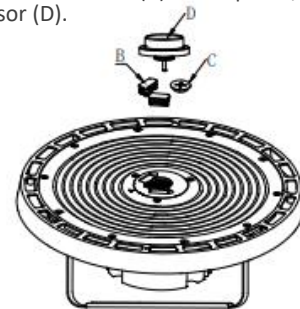


### ❖ Surface mounted

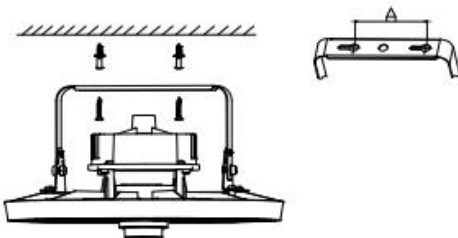
1. Fasten the bracket to the fixture with screws, loosen the nuts (A) at both ends, adjust the bracket to the required angle, and then lock it with the nuts (A) after confirmation.



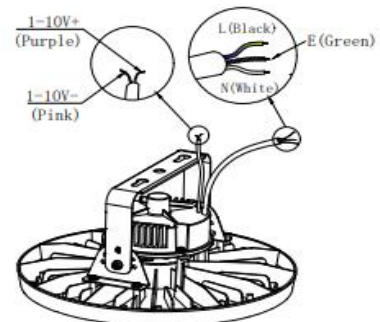
2. Loosen the rubber plug (B), adjust the corresponding power and color temperature, install the rubber plug (B), loosen the cross nut (C) as required, and then install the sensor (D).



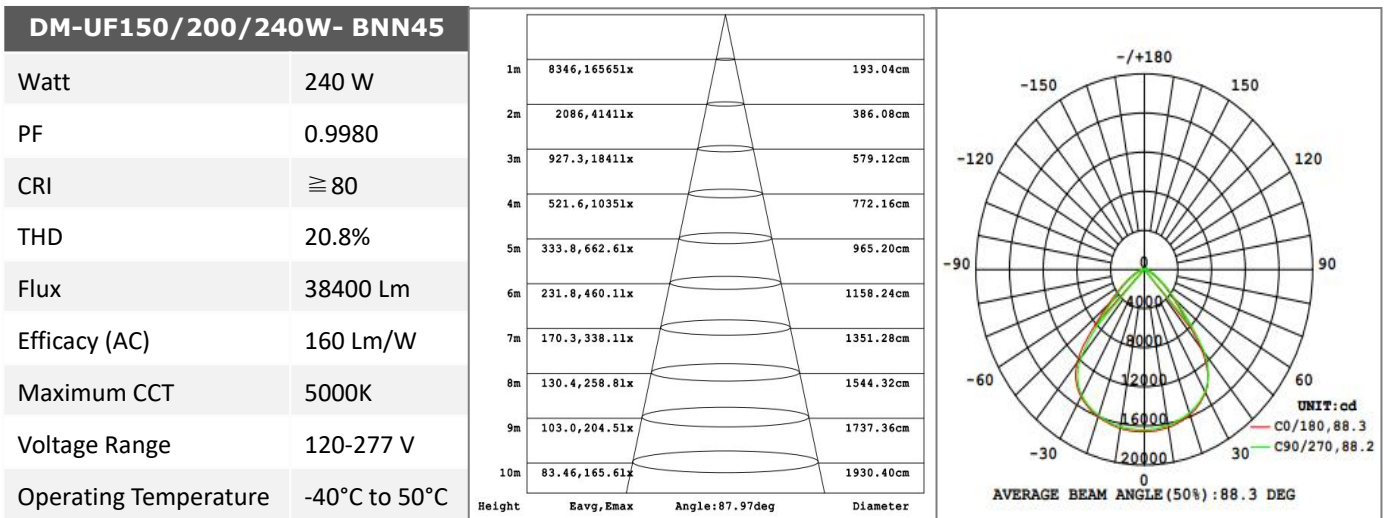
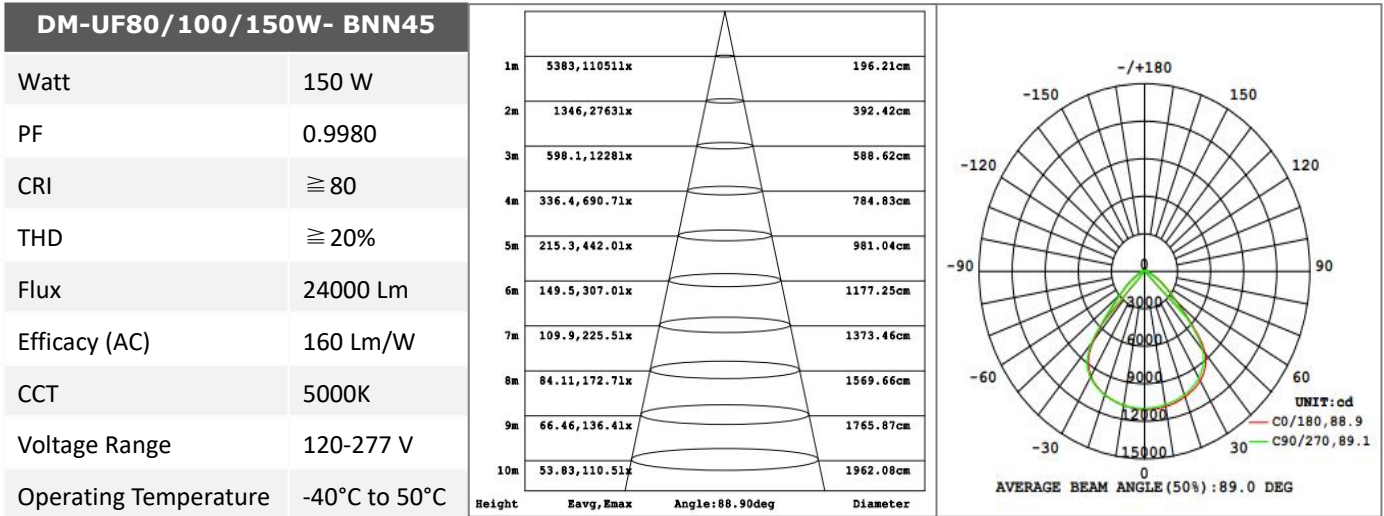
3. Drill two holes on the ceiling according to the hole spacing (A) on the bracket, install the expansion rubber plugs into the holes, and fix the fixture on the ceiling with screws through the bracket.



4. Electric and power input line connection (Black wire- L, White wire - N, Green wire - E, Purple-1-10V+, Pink-1-10V-).



## PHOTOMETRIC DATA



## APPLICATION

